



Virtual

SPACE TECH

**TRAINING &
INTERNSHIP**

PROGRAM

★ MENTORS FROM **ISRO**
& leading Aerospace Companies

★ **1** DURATION
MONTH

Develop your skills from the ground
system to satellite engineering



Special Faculties



ISRO Scientist

Researcher



Prof. R R Elangovan
Former ISRO Scientist & Core team
member of GSLV MK-1, Professor at KCG
College of Technology



Nivedha Govindarajan
Thruster Research Associate Intern at
Manastu Space, previously worked as
Graduate Engineering Trainee at TAS



RESOLUTE
Exploring the limits of universe

a space science and technology
company

Mentors are
also coming
from leading
Aerospace
companies

many more are down below



Why this internship & training is helpful ?

Opportunity to learn from Ex-ISRO scientists and other working professionals from other leading Aerospace companies.

Learn about the most booming domains of the Space science and technology sector.

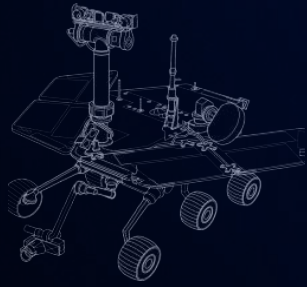
Get a chance to attend live sessions by eminent personalities of the Space science and technology sector across the globe.

Gain hands-on experience working on space technology-related projects

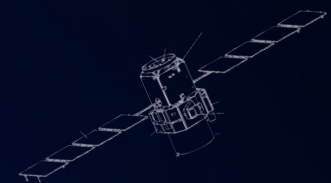


Summary

Date	Day	Topic	Instructor
10-Aug	Thursday	Introduction Session	Resolute Lab India
11-Aug	Friday	Introduction to Indian Space	Resolute Lab India
12-Aug	Saturday		
13-Aug	Sunday		
14-Aug	Monday	Rocket Fundamental - 1	Resolute Lab India
15-Aug	Tuesday	Rocket Fundamental - 2	Resolute Lab India
16-Aug	Wednesday	Avionics & Recovery	Resolute Lab India
17-Aug	Thursday	Flight Computer Anatomy	Resolute Lab India
18-Aug	Friday	System Thinking	Resolute Lab India
19-Aug	Saturday		
20-Aug	Sunday		
21-Aug	Monday	Open Rocket Simulation -1	Resolute Lab India
22-Aug	Tuesday	Open Rocket Simulation - 2	Resolute Lab India
23-Aug	Wednesday	Payload Fundamental -1	Resolute Lab India
24-Aug	Thursday	Payload Fundamental - 2	Resolute Lab India
25-Aug	Friday	Satellite Design - 1	R.R Elangovan
26-Aug	Saturday	Satellite Design - 2	R.R Elangovan
27-Aug	Sunday		
28-Aug	Monday	Fundamental of Solid Works	Resolute Lab India
29-Aug	Tuesday	Rocket Modeling	Resolute Lab India
30-Aug	Wednesday	Satellite Modeling	Resolute Lab India
31-Aug	Thursday	Problem Statement Issue	Resolute Lab India
01-Sep	Friday	Aerodynamics of Rocket	Resolute Lab India



Date	Day	Topic	Instructor
02-Sep	Saturday		
03-Sep	Sunday		
04-Sep	Monday	Propulsion Systems - 1	Resolute Lab India
05-Sep	Tuesday	Propulsion Systems - 2	Resolute Lab India
06-Sep	Wednesday	Introduction to CFD	Nivedha Govindarajan
07-Sep	Thursday	CFD Simulation	Nivedha Govindarajan
08-Sep	Friday	Rocket Nozzels and Turbulance Modeling	Nivedha Govindarajan
09-Sep	Saturday		
10-Sep	Sunday		
11-Sep	Monday	Preliminary Design Review	Resolute Lab India
12-Sep	Tuesday	Critical Design Review	
13-Sep	Wednesday	Report Submission	Submission at site
14-Sep	Thursday	Final Presentation	Resolute Lab India
15-Sep	Friday	Farewell	



Internship & Training

INFOGRAPHIC

Training

Our internship program offers comprehensive training to equip you with the knowledge and skills necessary to excel in your chosen field. Through a combination of theoretical learning and practical hands-on experience, we ensure that you gain valuable insights and expertise.



1

2



Skills

Our internship program focuses on honing your skills and enhancing your professional capabilities. You will have opportunities to acquire new skills and refine existing ones, ensuring that you are well-prepared for the demands of your future career. From technical expertise to soft skills like teamwork and problem-solving, we help you develop a well-rounded skill set.

Mentoring

Our dedicated team of mentors provides personalized guidance and support throughout your internship journey. They are industry professionals with extensive experience who will help you navigate challenges, provide valuable feedback, and help you grow both personally and professionally.



3

4



Communication

Effective communication is vital in the professional world. We emphasize the development of strong communication skills through various activities and workshops. You will learn how to articulate your ideas, collaborate effectively with team members, and present your work with confidence.

Goals

Set meaningful goals during your internship to enhance your learning experience. Whether you aim to gain specific technical skills, expand your professional network, or develop leadership qualities, we provide the resources and guidance to help you achieve your objectives.



5

6



Potential

Unleash your full potential during your internship. We believe in your capabilities and provide an environment that encourages creativity, innovation, and independent thinking. By challenging you to step outside your comfort zone and explore new ideas, we aim to unlock your untapped potential and help you become a future leader in your chosen field.

Who are we?

Hex-Star Universe is a Space research and development-based Edtech platform, where anyone can start learning about Space Science and Technology. We enable learning from the top 1% of the experts in the world. Our mission is to make Space accessible and affordable for all and help everyone in their journey to learn and gain more knowledge about space and technology. We are currently building a space education ecosystem where people from all backgrounds can come and expand their knowledge of space science and technology and can contribute to its development all around the world. Currently we have a community of over 10000 students from different sectors across the world who chose to learn more about space technology with us and looking forward to meet many more people in the coming future.

What we have done?

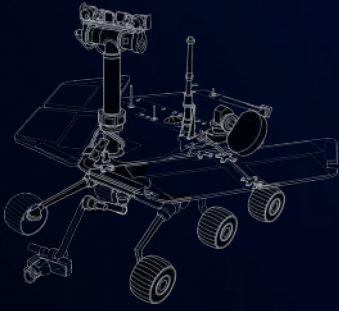
Our mission is to make Space accessible and affordable for all and help everyone in their journey to learn and gain more knowledge about space and technology.

Democratizing access
to **Space** for all



We have reached 10000 students from different sectors across the world to learn more about space technology.





We have organized around 50 live sessions till now on different topics of Space science and technology and we can gladly say that we have received immense responses from our community.



Most importantly we have organized around 10 paid Masterclasses at the most affordable price points for the first time in India and gladly we can say that all of them have received very positive feedback from all our participants.



We also organize different fun free events like Cosmoquiz, Aeroquiz, Water Bottle Rocket competition, etc.



We have already set our stepping stone in the development of the space technology sector by launching the most accessible CubeSat kit ever so that students can experiment and learn more about it.



Go up toward your success with us

Join the Space Tech Internship by Hexstar Universe and Resolute Lab India for a transformative skill growth experience. Learn from top educators like Professor R.R. Elangovan, a former ISRO scientist, and Nivedha Govind, a renowned space technology expert. This internship takes you from ground systems to satellite engineering, equipping you with a comprehensive understanding of the space industry.

Gain hands-on experience, work on real-world projects, and contribute to cutting-edge research. Develop a well-rounded skill set highly sought after in the space industry. Collaborate with passionate peers, engage in stimulating discussions, and build a strong professional network.

Elevate your skills and explore the possibilities of the space industry. Join the Space Tech Internship by Hexstar Universe and embark on a transformative journey towards a successful career in space technology.

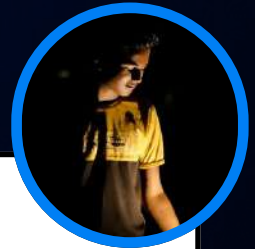


What are the other student's experience ?



Kaustav Dey

These courses are taught by top instructors who are experts in their field, and they provide students with the opportunity to learn from the best. These courses are also structured with a practical approach



Aditya Pawar

The masterclass, live sessions and competitions increase my knowledge of different subjects related to the Space



Ajinkya Bam

(space enthusiast)

Hex star is best way for me because in starting I have less knowledge about space and technology but in Google i Was seen hexstar website and I was seen the website and I really impressed so I joined the group and I joined hexstar lectures and I give many knowledge about universe and space

Preet Alpeshkumar Varu

Hex star Universe is helping me by giving me different exposure of the space industry and helping me gain knowledge about my line of study.



BUILD YOUR

**FLIT
FIGURE**

WITH US



Hex-Star Universe
www.hexstaruniverse.com